

# IP NETWORK CAMERA

IPB5MIRVF

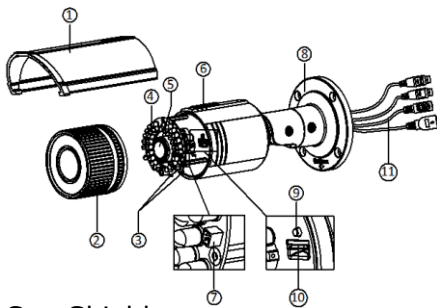
You Talk, We Listen<sup>®</sup>  
USA  
**ONIX**



## Features

- 5 Megapixel
- Outdoor Rated IP66
- IR LED's – 66ft~99ft Range
- Digital Wide Dynamic Range
- Audio & Alarm I/O
- True Day / Night
- ONVIF Compliant
- PoE

## Diagram



1. Sun Shield
2. Front Cover
3. Zoom and Focus Lever
4. IR LED
5. Lens
6. Air Vent
7. Video Output Interface
8. Integrated Bracket
9. Reset
10. Mini SD Card Slot
11. Power Interface
12. Network Interface

Part Number	IPB5MIRVF
Image Sensor	1/2.5" Progressive CMOS
Min Illumination	1 lux@F1.60 lux, 0.0 lux with IR
Lens	3.5 ~ 9 mm @F1.6
IR Range	approx. 60 ~ 90 feet
Angle of View	92° ~ 36°
Adjust Range	Universal Mount
Day & Night	True Day/Night
Video Compress.	H.264 / MPEG4 / MJPEG
Max. Resolution	5 Megapixel (2560 x 1920)
Frame Rate	7.5 fps (2560 x 1920) 15 fps (2048 x 1536) 30 fps (1920 x 1080)
Outdoor Rated	Vandal, IP66
Dual Stream	Yes
Motion Detection	Yes
Alarm In/Output	N/A
On Board Storage	N/A
Ratings	IP66
Power/PoE	12VDC/PoE14W Max.
Heater & Blower	No
Certificate	UL/ cUL
Operating Temp.	-10°C ~ 60°C (14°F ~ 140°F), humidity 90% or less (non-condensing)