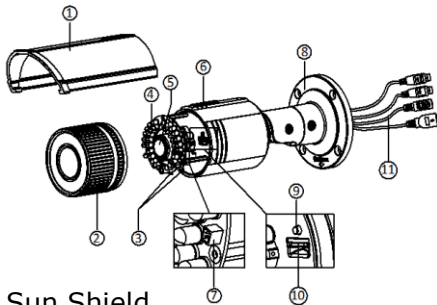




## Features

- 4 Megapixel Recording
- Outdoor Rated IP66
- IR LED's – up to 100ft
- True Wide Dynamic Range 120dB
- True Day / Night
- SD Card – Up to 128GB
- H.264+ Compression
- Smart Event
  - Line Crossing
  - Intrusion Detection
- ONVIF Compliant
- PoE

## Diagram



1. Sun Shield
2. Front Cover
3. Zoom and Focus Lever
4. IR LED
5. Lens
6. Air Vent
7. Video Output Interface
8. Integrated Bracket
9. Reset
10. Mini SD Card Slot
11. Power Interface
12. Network Interface

Part Number	IPB4MIRVF
Resolution	2688 x 1520
Frame Rate	20fps(2688x1520) 30fps(1920x1080) 30fps(1280x720)
Image Sensor	1/3" Progressive Scan CMOS
Lux Rating	0.7 Lux @ F1.2, 0 Lux with IR
Shutter	1/30s ~ 1/100,000s
Lens	2.8-12mm IR Cut Filter, Angle of View 30.5~98 Degree
IR Range	Up to 100ft
DNR	3D DNR
WDR	120dB True Wide Dynamic Range
Compression	H.264+ / H.264 / MJPEG
H.264 Codec	Main Profile
Bit Rate	32Kbps ~ 16Mbps
Audio Compress	G.711 / G.726
Audio Bit Rate	64Kbps (G.711) / 16Kbps (G.726)
SD Recording	Mini SD Card: Up to 128GB
Image Settings	Saturation, Brightness, Contrast, Sharpness
BLC	Configurable by Zone
Network Storage	NAS
Alarm Trigger	Motion, Alarm, Network Disconnect, IP Conflict, Storage Exception
Protocols	TCP/IP, HTTP, DHCP, DNS, DDNS, RTP, RTSP, PPPoE, SMTP, NTP, SNMP, HTTPS, FTP, 802.1x, Qos
Interoperability	ONVIF, PSIA, CGI
Security	User Authentication, Reset Button, Flickerless, Dual Stream, Heartbeat, Mirror, Watermark
Communication	1-RJ45 10M / 100M Ethernet Interface
Dimensions	3.74" x 4.13" x 10.18"
Weight	2.65 lbs
Operating Temp	-30 °C – 60 °C (-22 °F –140 °F) Humidity 95%
Power Supply	12 VDC ± 10% , PoE (802.3af)
Power Consumpt	7.5W with IR
Weather Rating	IP66