

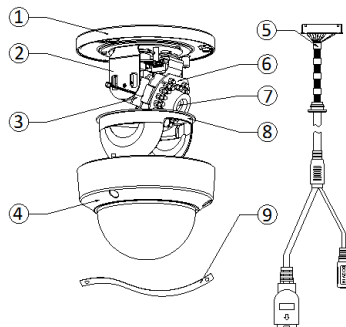
# 5 MEGAPIXEL IP NETWORK CAMERA

IPD5MIR-T(28)



## Features

- 5 Megapixel Resolution
- Outdoor Vandal Rated IP66 & IK10
- IR LED's - up to 100ft
- Fixed Lens
  - IPD5MIR-T - 4mm Fixed Lens
  - IPD5MIR-T28 - 2.8mm Fixed Lens
- True Wide Dynamic Range 120dB
- H.264+ Compression
- Smart Event
  - Line Crossing
  - Intrusion Detection
- True Day / Night
- ONVIF Compliant
- PoE



1. Mounting Base
2. Horizontal Stand
3. Vertical Stand
4. Bubble
5. Power / Network Cables
6. IR LED
7. Lens
8. Black Liner
9. Safety Rope

Part Number	IPD5MIR-T(28)
Resolution	5 Megapixel (2560 x 1920)
Frame Rate	20fps(2688x1520)-20fps, (1920x1080) 30fps(1280x720)
Image Sensor	1/3" Progressive Scan CMOS
Lux Rating	0.028 Lux @ F2.0, 0 Lux with IR
Shutter	1/30s ~ 1/100,000s
Lens	4mm IR Cut Filter or 2.8mm IR Cut Filter
Angle Adjustment	2 Axis Pan: 0° ~ 355° Tilt: 0° ~ 65°
IR Range	Up to 100ft
DNR	3D DNR
WDR	True Wide Dynamic Range 120dB
Compression	H.264+ / H.264 / MJPEG
H.264 Codec	Main Profile
Bit Rate	32Kbps ~ 16Mbps
Image Settings	Saturation, Brightness, Contrast, Sharpness
BLC	Configurable by Zone
Network Storage	NAS
Outdoor Ratings	Outdoor Vandal Rated - IP66 & IK10
Alarm Trigger	Motion, Alarm, Network Disconnect, IP Conflict, Storage Exception
Protocols	TCP/IP, HTTP, DHCP, DNS, DDNS, RTP, RTSP, PPPoE, SMTP, NTP, SNMP, HTTPS, FTP, 802.1x, Qos
Interoperability	ONVIF, PSIA, CGI
Security	User Authentication, Reset Button, Flickerless, Dual Stream, Heartbeat, Mirror, Watermark
Communication	1-RJ45 10M / 100M Ethernet Interface
Operating Temp	-30 °C - 60 °C (-22 °F -140 °F) Humidity 95%
Power Supply	12 VDC ± 10% , PoE (802.3af)
Power Consumpt	5W with IR
Dimensions	4.4" x 3.2"
Weight	1.1 lbs